

C1602E	16 CHARS×2 LINES	1/16 DUTY	1/4 BIAS
---------------	------------------	-----------	----------

1.FEATURE:

LCD MODE	TN/STN
BACKLIGHT TYPE	LED BACKLIGHT
CHARACTER FONTS	5×8 DOTS (WITH CURSOR)
CONTROLLER	KS0066 OR EQUIVALENT
POWER SUPPLY FOR LCM	DC +5V
LED BACKLIGHT INPUT	DC +5V
EL BACKLIGHT INPUT	----
EL INVERTER	----

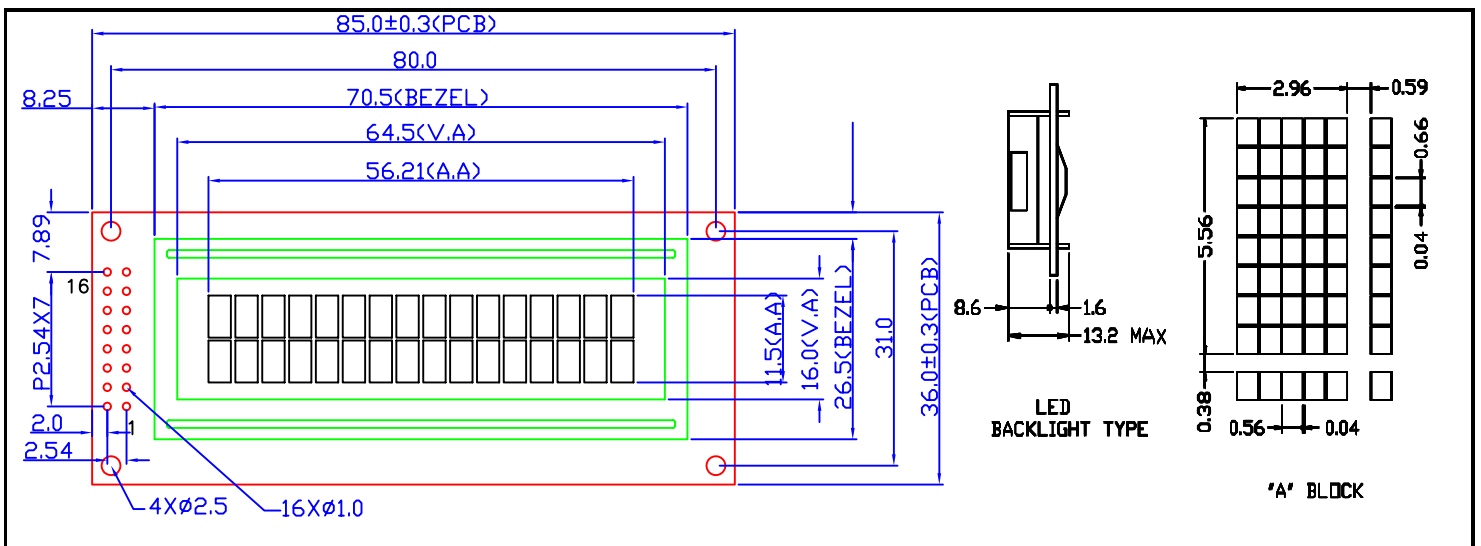
3.ABSOLUTE MAXIMUM RATINGS:

ITEM	SYMBOL	MIN	TYP	MAX	UNIT
OPERATING TEMP.	T _{OP}	-20	-	+70	
STORAGE TEMP.	T _{ST}	-30	-	+80	
INPUT VOLTAGE	V _I	V _{SS}	-	V _{DD}	V
SUPPLY VOL-LOGIC	V _{DD} -V _{SS}	-	5.0	6.5	V
SUPPLY VOL-LCD	V _{DD} -V _O	-	-	6.5	V

5.INTERFACE PIN CONNECTIONS:

NO	SYM	LEVEL	FUNCTION	NO	SYM	LEVEL	FUNCTION
1	V _{SS}	-	0V	9	DB ₂	H/L	DATA BIT ₂
2	V _{DD}	-	5V	10	DB ₃	H/L	DATA BIT ₃
3	V _O	-	CONTRAST ADJ	11	DB ₄	H/L	DATA BIT ₄
4	RS	H/L	REGISTER SELECT	12	DB ₅	H/L	DATA BIT ₅
5	R/W	H/L	READ/WRITE	13	DB ₆	H/L	DATA BIT ₆
6	E	H.H→L	ENABLE SIGNAL	14	DB ₇	H/L	DATA BIT ₇
7	DB ₀	H/L	DATA BIT ₀	15	A(+)	5V	BACKLIGHT
8	DB ₁	H/L	DATA BIT ₁	16	K(-)	0V	BACKLIGHT

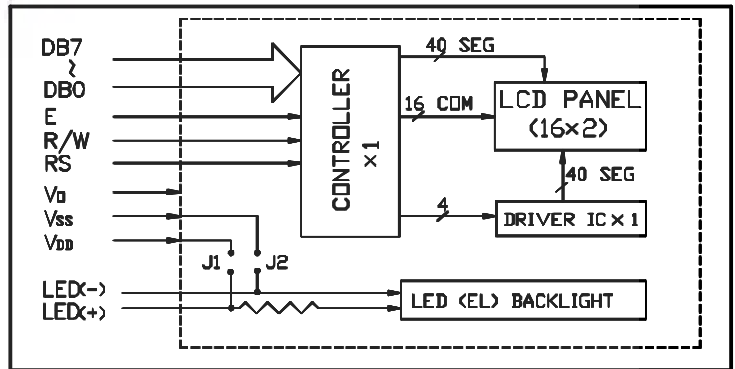
7.DIMENSIONAL DRAWING:



2.ELECTRICAL CHARACTERISTICS:

ITEM	SYM	CONDITION	MIN	TYP	MAX	UNIT
SUPPLY VOLTAGE FOR LCD	V _{DD} -V _O	Ta=0	-	4.6	-	V
		Ta=25	-	4.4	-	V
		Ta=50	-	4.2	-	V
INPUT VOLTAGE	V _I	-	4.5	5.0	5.5	V
INPUT HIGH VOL	V _{IH}	-	2.2	-	V _{DD}	V
INPUT LOW VOL	V _{IL}	-	0	-	0.6	V
OUTPUT HIGH VOL	V _{OH}	-	2.4	-	-	V
OUTPUT LOW VOL	V _{OL}	-	-	-	0.4	V
SUPPLY CURRENT	I _{DD}	V _{DD} =5V	-	3.0	4.5	mA
LED CURRENT	I _F	Ta=25	-	100	-	mA
LED DISSIPATION	P _D	Ta=25	-	500	-	mW

4.BLOCK DIAGRAM:



6.DISPLAY CHARACTER ADDRESS CODE:

	1	2	3	4	5	6	7	8	9	10	11	12	13	14	15	16
L1	80	81	82	83	84	85	86	87	88	89	8A	8B	8C	8D	8E	8F
L2	C0	C1	C2	C3	C4	C5	C6	C7	C8	C9	CA	CB	CC	CD	CE	CF

